



basicline eco[🌿]
100 %
recycling
material



100 % sustainable **basicline eco**

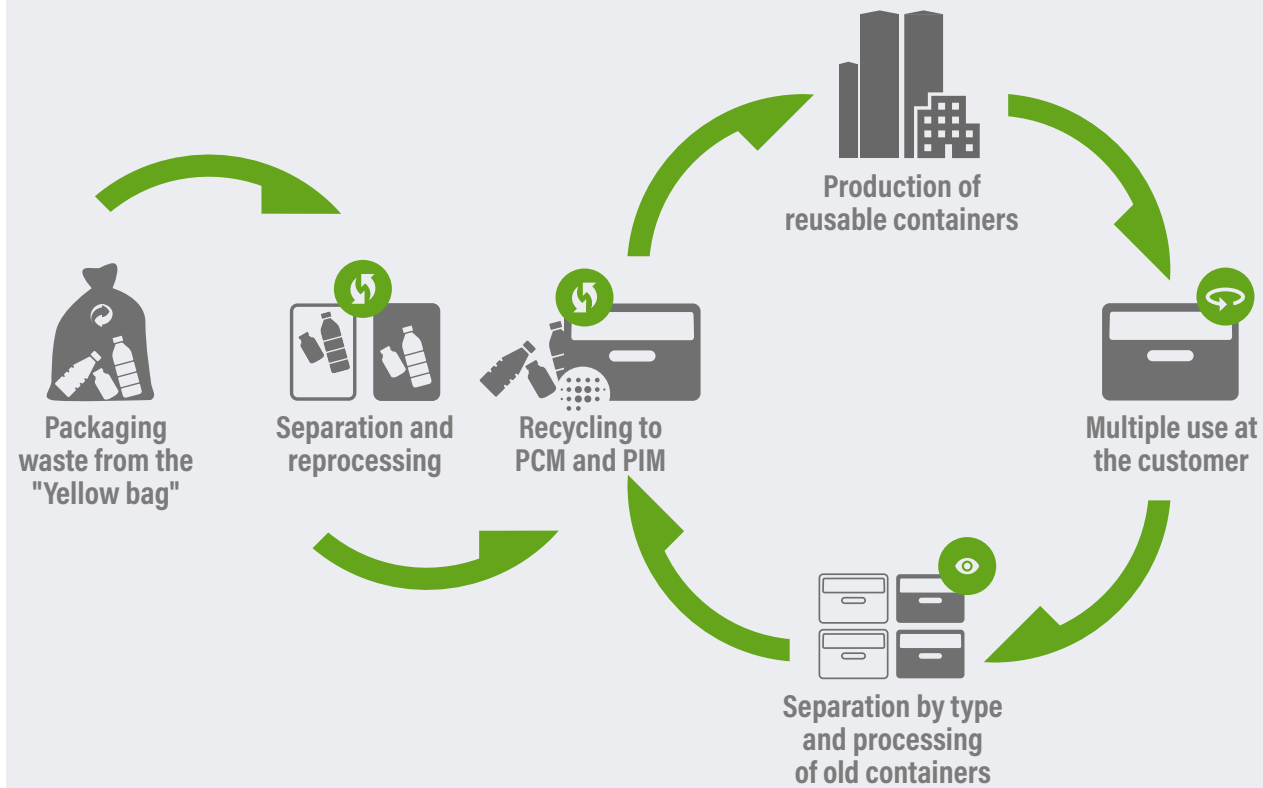
Our **basicline eco** container series offers a special special plus in terms of sustainability. The reusable containers are not only extremely durable and fully recyclable, they are also made from **100% recycled material**.

We use our high-quality **bekuplast Quality Compound (BQC)** for the production of **basicline eco**. In this way, we save valuable resources while guaranteeing the best basicline quality.

Carbon neutral

Available as carbon neutral products on request: All unavoidable CO₂ emissions are offset by recognised climate protection projects.

 **ClimatePartner**



BQC

The resource-saving alternative!

With the bekuplast Quality Compound (BQC) our environmentally friendly reusable transport packaging are even more sustainable. BQC is a polypropylene copolymer that consists of at least 50 % post consumer material (PCM). BQC can also contain up to 50% Post Industrial Material (PIM).

With its technical properties, bekuplast Quality Compound (BQC) is suitable for storage and transport applications, even in fully automated processes, and is comparable to a completely virgin plastic. It can be used for all reusable transport packaging that does not come into contact with food.



basicline eco

Closed containers

400 × 300 mm Basic dimension

		Height	Inner dimensions*	Sides	Base	Handles	Volume	Article number
		120 mm	367 × 268 × 117 mm	closed	closed	closed	11.2 l	1241/000315-037001
		220 mm	367 × 268 × 217 mm	closed	closed	open	20.8 l	2242/000315-037001

600 × 400 mm Basic dimension

		Height	Inner dimensions*	Sides	Base	Handles	Volume	Article number
		120 mm	567 × 367 × 117 mm	closed	closed	closed	23.9 l	1261/000315-037001
		220 mm	567 × 367 × 217 mm	closed	closed	open	44.2 l	2262/000315-037001
		320 mm	567 × 367 × 317 mm	closed	closed	open	64.5 l	3262/000315-037001

*Note on the internal dimensions: The width and length were measured in the top of the container. The height is the total height.

basicline eco

Containers with removal opening

600 × 400 mm Basic Dimension


		Height	Inner dimensions*	Sides	Base	Handles	Volume	Article number
		220 mm	567 × 367 × 217 mm	closed, one end with removal opening	closed	one handle closed	41.7 l	2263/000315-037001
		270 mm	567 × 367 × 267 mm	closed, one end with removal opening	closed	one handle closed	51.9 l	2763/000315-037001
		320 mm	567 × 367 × 317 mm	closed, one end with removal opening	closed	one handle closed	62 l	3263/000315-037001
Optionally available				Sides				
				Flap for Removal opening				

*Note on the internal dimensions: The width and length were measured in the top of the container. The height is the total height.

400 × 300 mm Basic dimension

	Suitable for article	Article number	Artikel-Nr.
	Lid	basicline containers article numbers 1241/000315-037001 and 2241/000315-037001	0078-----15-000001

600 × 400 mm Basic dimension

	Suitable for article	Article number	Artikel-Nr.
	Lid	basicline containers article numbers 1261/000315-037001 , 2262/000315-037001 , 3262/000315-037001 , 2263/000315-037001 , 2763/000315-037001 and 3263/000315-037001	0077-----15-000001

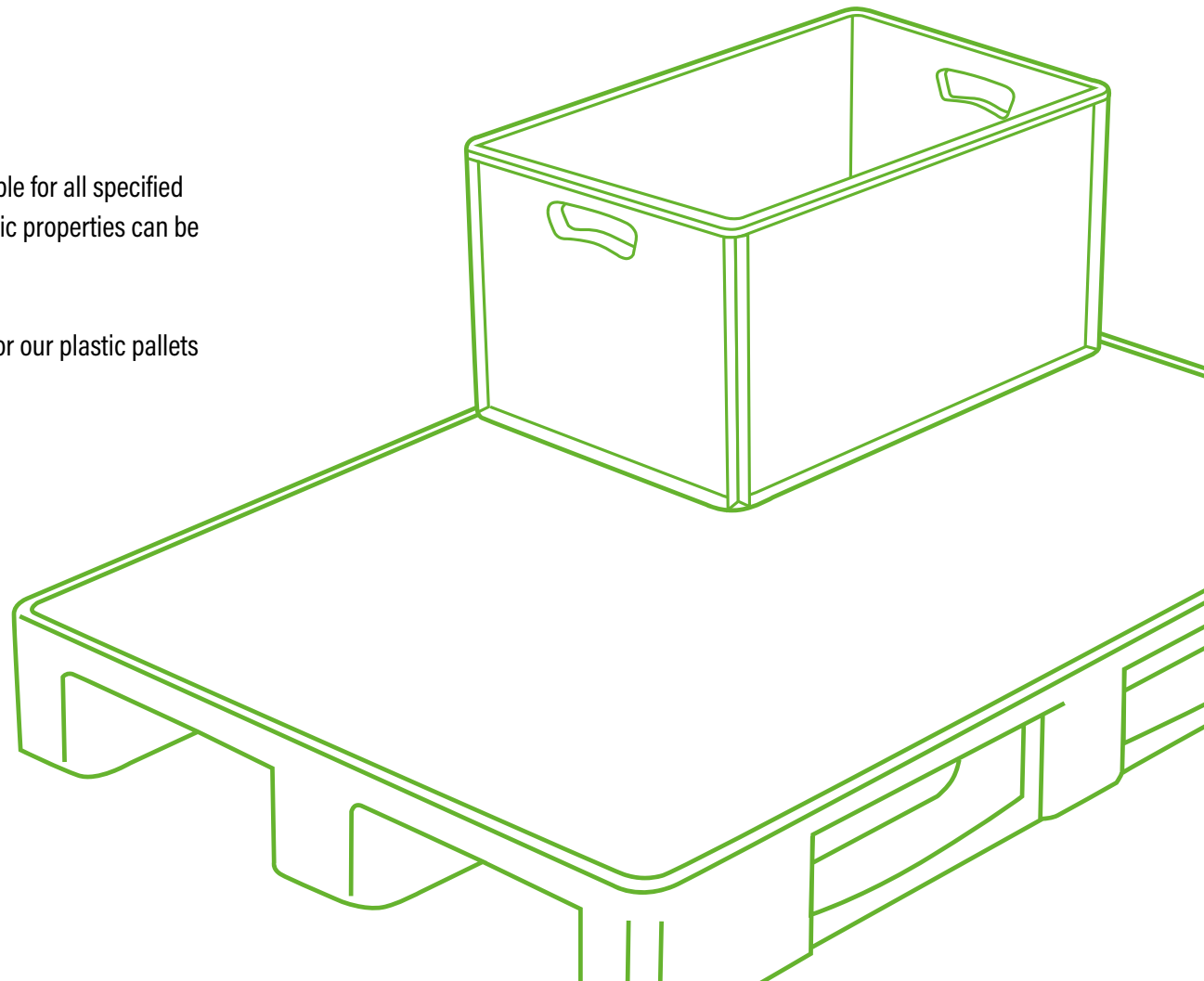
General information

Containers and pallets

Important note

We explicitly point out that test-related/technical tolerances are possible for all specified data, dimensions and weights. No legally binding assurances of specific properties can be derived from the information.

Further information on container dimensions and the test conditions for our plastic pallets can be found on our [website](#).





bekuplast GmbH · Industriestraße 1 · 49824 Ringe · Germany
T +49 5944 9333-0 · info@bekuplast.com · www.bekuplast.com